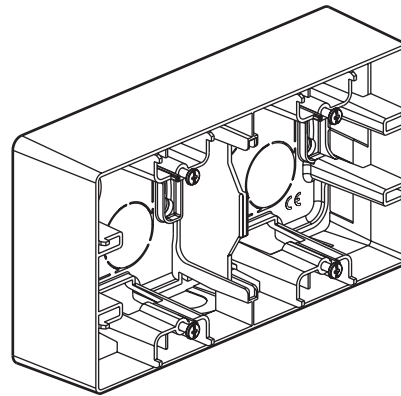
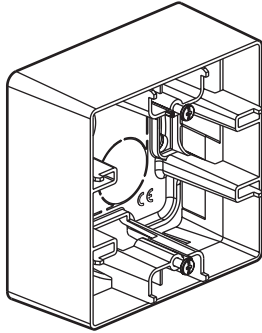


Salbei™
Surface mounting boxes

Catalogue number(s): 7 671 47/48 - 7 672 47/48 - 7 673 47/48
7 674 47/48 - 7 675 47/48 - 7 676 47/48
7 677 47/48 - 7 678 47/48 - 7 679 47/48

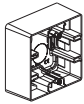


1. USE

Horizontal or vertical mounting.
 Entry for installation on 20 x 15.5 mm, 32 x 12.5 mm, 40 x 20 mm mini trunking and Ø 20 mm conduit.
 Boxes receive composable mechanisms.

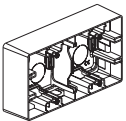
2. RANGE

Surface-mounting box* 1-gang



White	7 671 47
Aluminium	7 672 47
Anthracite	7 673 47
Ivory	7 674 47
Champagne	7 675 47
Matt Gold	7 676 47
Pink	7 677 47
Smoked Grey	7 678 47
White Pearl	7 679 47

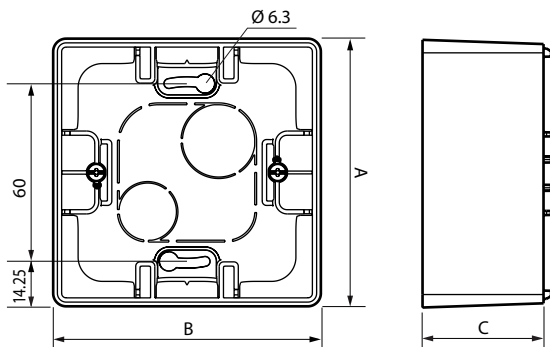
Surface-mounting box* 2-gang



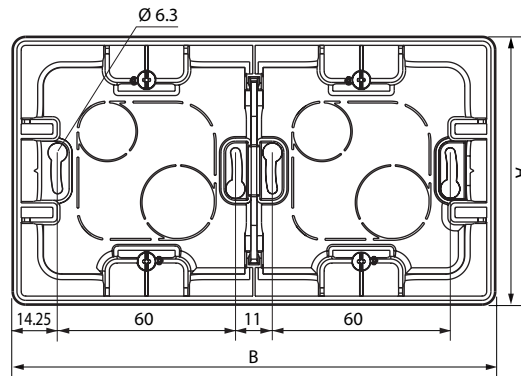
White	7 671 48
Aluminium	7 672 48
Anthracite	7 673 48
Ivory	7 674 48
Champagne	7 675 48
Matt Gold	7 676 48
Pink	7 677 48
Smoked Grey	7 678 48
White Pearl	7 679 48

*2-gang box supplied with divider for low and high current.

3. OVERALL DIMENSIONS (mm)



3. OVERALL DIMENSIONS (mm) (continued)



	A	B	C
1-gang	88.5	88.5	40
2-gang	88.5	159.5	40

4. TECHNICAL CHARACTERISTICS

4.1 Material characteristics

Polyglass appearance.
 Material: ABS
 Halogen free
 Self-extinguishing: 650° C / 30 s

4.2 Climatic characteristics

Storage temperature: - 10° C to + 70° C
 Use temperature: - 5° C to + 35° C

5. CLEANING

Surface cleaning with a cloth.
 Do not use: acetone, tar remover, trichloroethylene.

Caution: An initial test is required for the use of other special maintenance products.