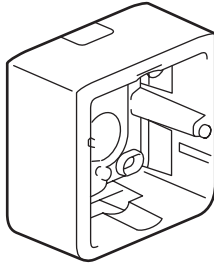
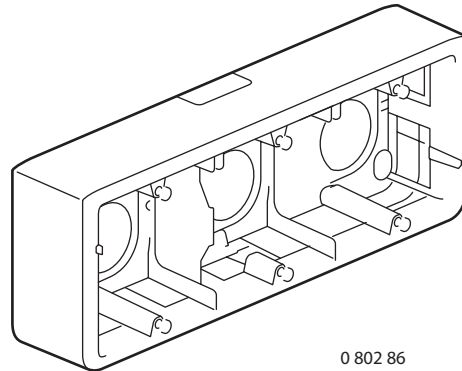


# Mosaic™ Surface-mounting boxes

Cat. No(s): 0 802 80/81/82/83/84/85/86/89  
 0 802 74/76/78



0 802 81



0 802 86

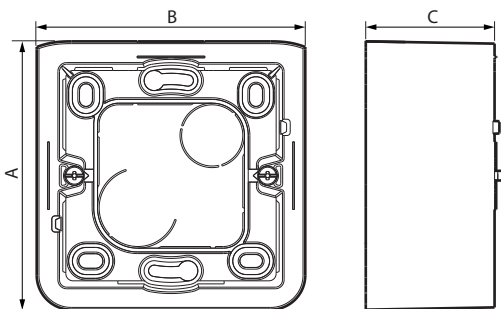
## 1. DESCRIPTION

Surface-mounting frames with pre-cut removable entries (top/bottom).  
 Supplied with screws.

## 2. GAMME

Surface-mounting boxes	White
For 2 modules, equipped with a 20 x 12.5 mm removable entry	0 802 80 0 802 81
For 3 modules, equipped with a 20 x 12.5 mm removable entry	0 802 89
For 4, 5 or 2 x 2 horizontal modules equipped with a 32 x 12.5 mm removable entry	0 802 85
For 6, 8 or 3 x 2 horizontal modules equipped with a 32 x 12.5 mm removable entry	0 802 86
For 10 or 4 x 2 horizontal modules equipped with a 40 x 20 mm removable entry	0 802 84
For 5 or 2 x 2 vertical modules equipped with a 20 x 12.5 mm removable entry	0 802 82
For 3 x 2 vertical modules equipped with a 20 x 12.5 mm removable entry	0 802 83
For 2 x 5, 2 x 2 x 2 modules, equipped with two 40 x 20 mm removable entries	0 802 74
For 2 x 6, 2 x 8 or 2 x 3 x 2 modules, equipped with three 40 x 20 mm removable entries	0 802 76
For 2 x 10 modules, equipped with four 40 x 20 mm removable entries	0 802 78

## 3. DIMENSIONS (mm)



## 3. DIMENSIONS (mm) (continued)

Cat. Nos	A	B	C
0 802 80	83.5	83.5	30
0 802 81	83.5	83.5	40
0 802 89	83.5	124.5	40
0 802 82/85	83.5	154.5	40
0 802 83/86	83.5	225.5	40
0 802 84	83.5	296.5	40
0 802 74	167.5	167.5	46
0 802 76	167.5	238.5	46
0 802 78	167.5	319.5	46

## 4. TECHNICAL CHARACTERISTICS

### ■ 4.1 Mechanical characteristics

Protection against solid/bodies and liquids: IP 20  
 Protection against impacts: IK 04

### ■ 4.2 Material characteristics

Frame:  
 White ABS RAL 9003 for Cat. Nos 0 802 80/81/82/83/84/85/86/89  
 White PC RAL 9003 for Cat. 0 802 74/76/78

Separation partition: recycled PS

Screws: Steel

Halogen-free

UV-resistant

Self-extinguishing: 650°C/30 s

### ■ 4.3 Climate characteristics

Storage temperature: -10°C to +70°C

Operating temperature: -5°C to +35°C

## 5. CLEANING

Surface cleaning with a cloth.

Do not use: acetone, tar remover, trichloroethylene.

**Caution:** Always test before using other special cleaning products.