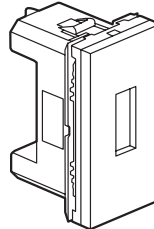


Mosaic™
USB A socket

Cat. No(s): 0 787 61 - 0 792 84



1. USE

For connecting USB devices (printer, scanner, external hard disk).

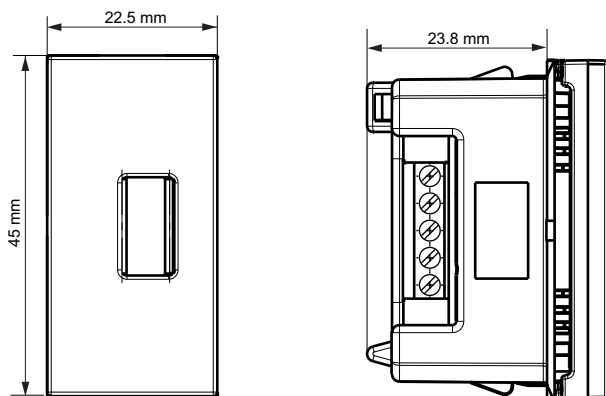
2. RANGE

	Designation	Cat. No.	Modules	Fixing method	Connection method	Weight (g)
	Female USB socket	0 787 61	1	With clips	With screws	15.4
	Female USB socket Aluminium cover plate	0 792 84	1	With clips	With screws	15.4

3. PREPARATION

- The mechanisms can be flush-mounted or surface-mounted.
- Modular mechanisms using adapter Cat. No. 802 99 (2 modules).
- The mechanisms are mounted on thin walls using adapters Cat. No. 802 90 (1 module), 802 91 (2 modules), 802 92 (2 x 1 vertical module).

4. OVERALL DIMENSIONS



5. CONNECTION

Wide terminal strip taking a 1 mm² conductor max.

Supplied in a bag containing :

- 1 Colring tie
- ferrules to be crimped for conductor < 0.5 mm²
- thermoformable sheaths.

The recommended cable is USB specific high/full-speed or low-speed cable according to use.

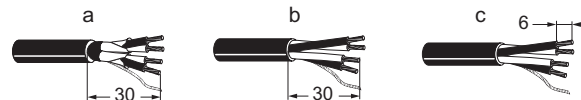
Max. cable length :

- 5 m in twisted pairs at 12 Mbit/s (high/full-speed)
- 3 m in twisted pairs at 1.5 Mbit/s (or low-speed).

Maximum length is given for information only.

Transmission quality depends directly on the quality of the cable and the connection to the sockets.

Stripping



Wiring

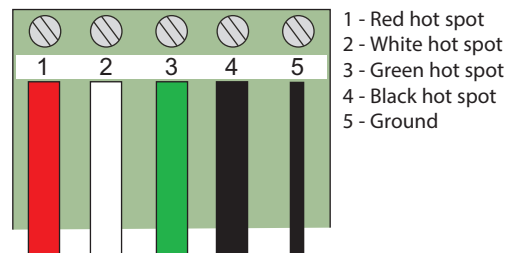
Tools required : flat-blade screwdriver 0.4 x 2.5 mm and flat-nose pliers.

Insulate the braid using the neoprene sleeve supplied, thread it into the ferrule supplied and crimp it using the flat-nose pliers.

Thread the core into the respective ferrule supplied and crimp it using the flat-nose pliers.

Hold the cable mechanically using the cable clamp supplied.

Follow the cabling instructions below :



USB A socket

6. TECHNICAL CHARACTERISTICS

6.1 Caractéristiques électriques

The values shown are subject to installation in accordance with good engineering practice and connection in accordance with current standards. Additional accessories and cords must meet the same criteria.

Version USB Data	USB Data Speeds	Max. Cable length	Max. cord length	Total link length max	Min. box depth
1.1					
with screws	12 Mbit/s	3 m	1 m	5 m	40 mm

6.2 Mechanical characteristics

Impact tests : IK 04

Penetration by solid bodies/liquid : IP 40

6.3 Climatic characteristics

Base : Polycarbonate

Cover : ABS (RAL 9003)

Self-extinguishing : 650°C / 30 s

6.4 Climatic characteristics

Storage temperature : - 10°C to + 70°C

Operating temperature : - 5°C to + 50°C

7. CLEANING

Surface cleaning with a cloth.

Do not use : acetone, tar remover, trichloroethylene.

7.1 Resistance to cleaning agents

Resistance to the following agents :

- Hexane (EN 60669-1)
- Methylated spirits
- Soapy water
- Diluted ammonia
- Diluted pure bleach 10%
- Glass cleaning substance
- Pre-impregnated wipes.

Caution : A preliminary test should be carried out if other specific cleaning products are to be used.

7.2 Resistance to hospital-type cleaning agents

Resistance to the following agents :

- Anios
- Surfanios
- Bactilysine
- Peroxide d'hydrogène (eau oxygénée 35%).